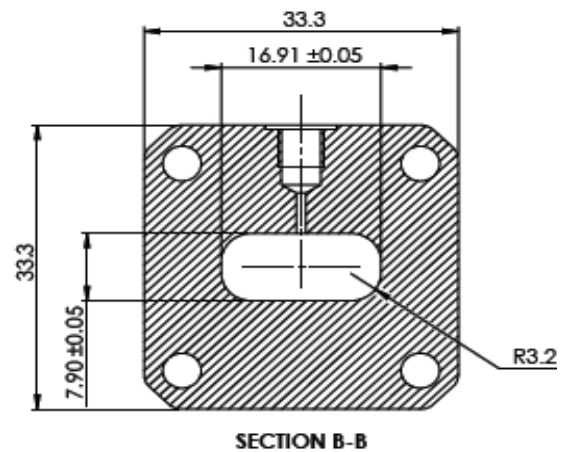
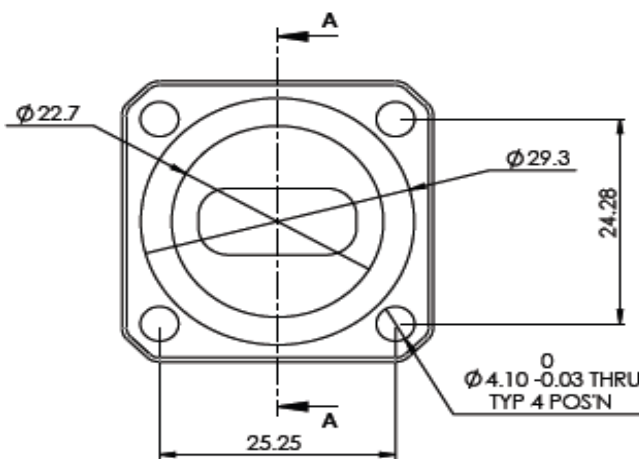


flexiguide

Product Specification



Part Number:

PI18K-P-*-FK

* = see options below

Description

Product Type:

Pressure Inlet

Waveguide Size:

WG18 / WR62 / R140

Flange Type:

18K (PBR140)

Flange Material / Plating:

Aluminium / Passivation

* Paint Finish:

G = Gray (RAL 7012), B = Black, W = White

Accessories:

Screws, Nuts, Washers, O-Ring(s) / Gasket(s)

Mechanical Specifications

Thread Size:

M5

Thickness:

16 mm / 0.6 inches

O-ring Groove Depth:

2.03 mm / 0.08 inches

Electrical Specifications

Frequency Range: 12.4 - 18.0 GHz

Insertion Loss: 0.05 dB

Return Loss: 34.2 dB

Environmental Performance

Temperature Range: -70 to +150°C

ETSI Class: ETSI EN 300-019-2-4 Class 4.1

I.P. Rating: IP65 (Weatherproof)